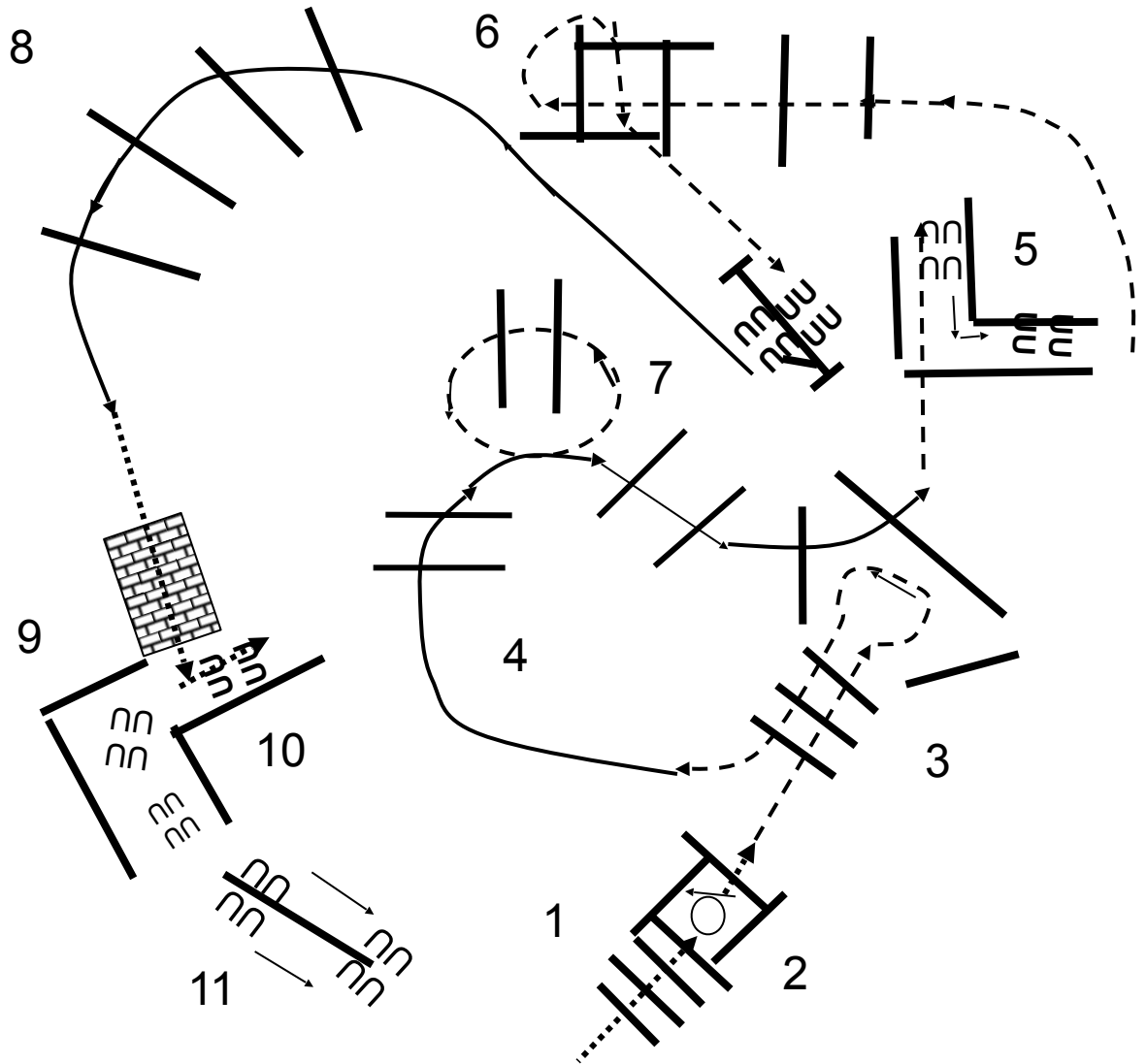


**EUROPEAN TEAM CUP 2017**  
**TRAIL AMATEUR**



1 walkover,

2 left turn 360°, walk out

3 jog over logs

4 lope RL- ,jog - lope LL -  
jog into chute

5 backup

6 jog over logs

7 gate

8 lope LL

9 walk the bridge

10 backup

11 Side pass to right

MP 2017

backup

↺ ↻ sidepass

nn → walk .... Jog- - - lope - - -

# EUROPEAN TEAM CUP 2017

## Western Horsemanship YOUTH

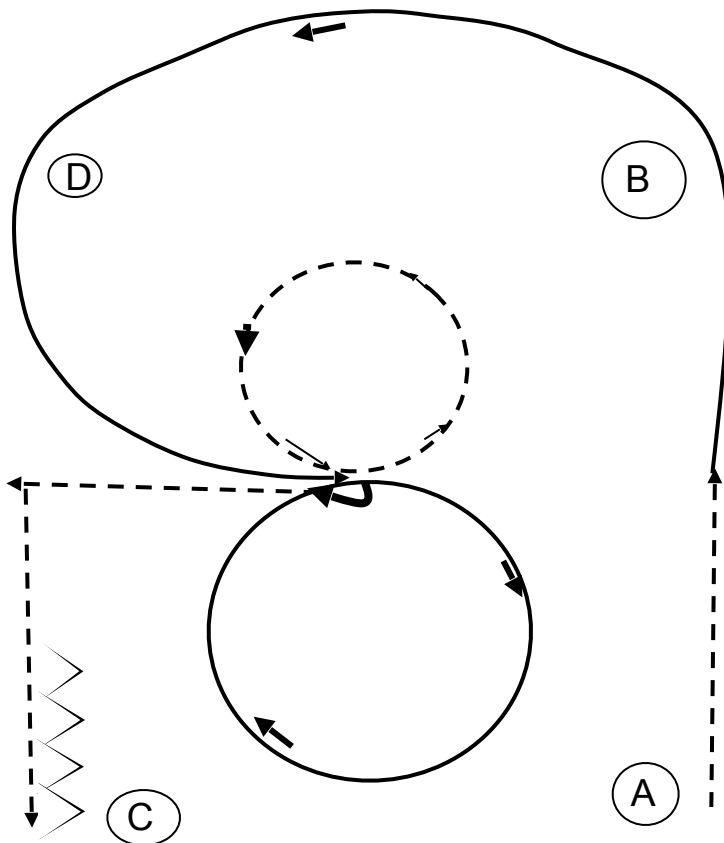
.....walk    - - - - jog

→ lope

↪ pivot

⋈ backup

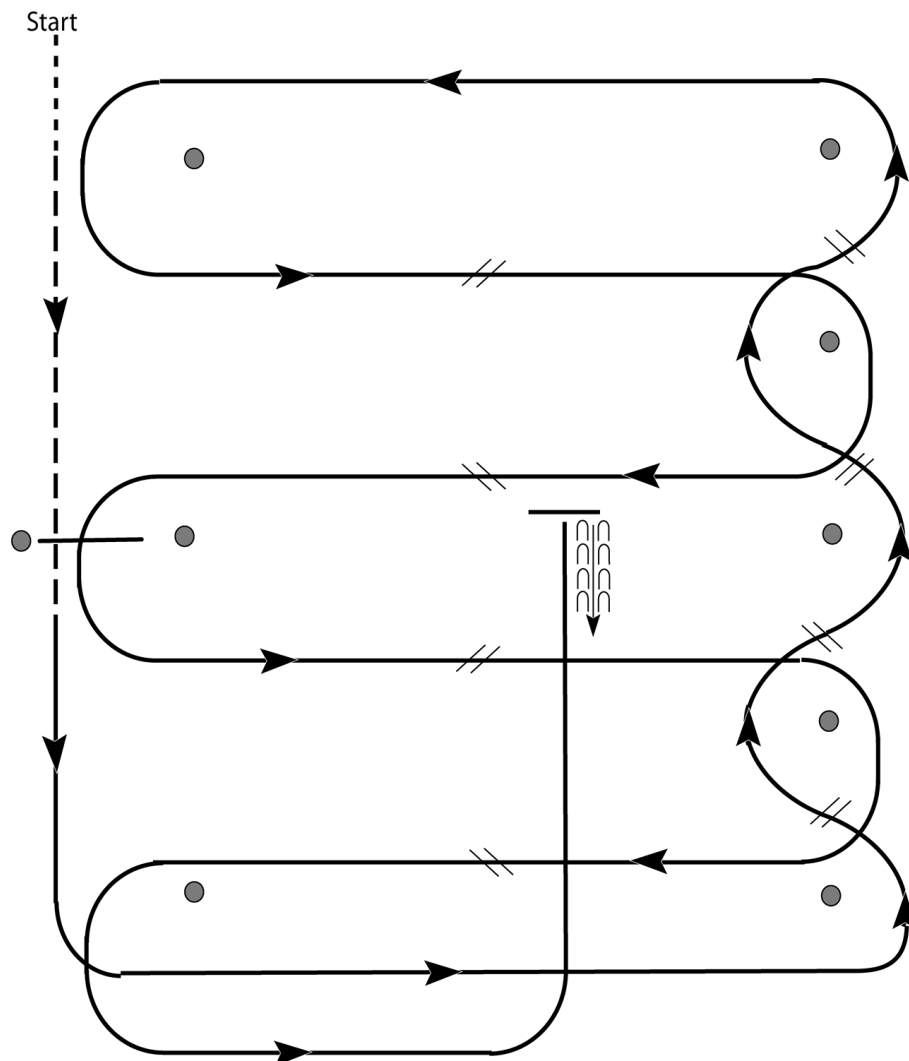
1. Be ready at A -jog halfway AB - left lope
2. Lope around B and  $\frac{3}{4}$  circle to center
3. Jog and circle to left at jog
4. Right lope , right circle
5. Stop -1/2 right turn
6. Jog straight- between C -D turn square to left
7. D stop and backup



# EUROPEAN TEAM CUP 2017

## WESTERN RIDING EUROPEAN CUP

Show Date: 14 15 16 07-2017



1. Walk and jog over log.
2. Transition to lope and lope around end.
3. First line change.
4. Second line change.
5. Third line change.
6. Fourth line change and lope around the end of the arena.
7. First crossing change.
8. Second crossing change.
9. Lope over log.
10. Third crossing change.
11. Fourth crossing change.
12. Lope up the center, stop and back.

[WR/OP-1]

Pattern Provided by:

*M Pfender*

w w w . H o r s e S h o w P a t t e r n s . c o m

w w w . H o r s e S h o w P a t t e r n s . c o m

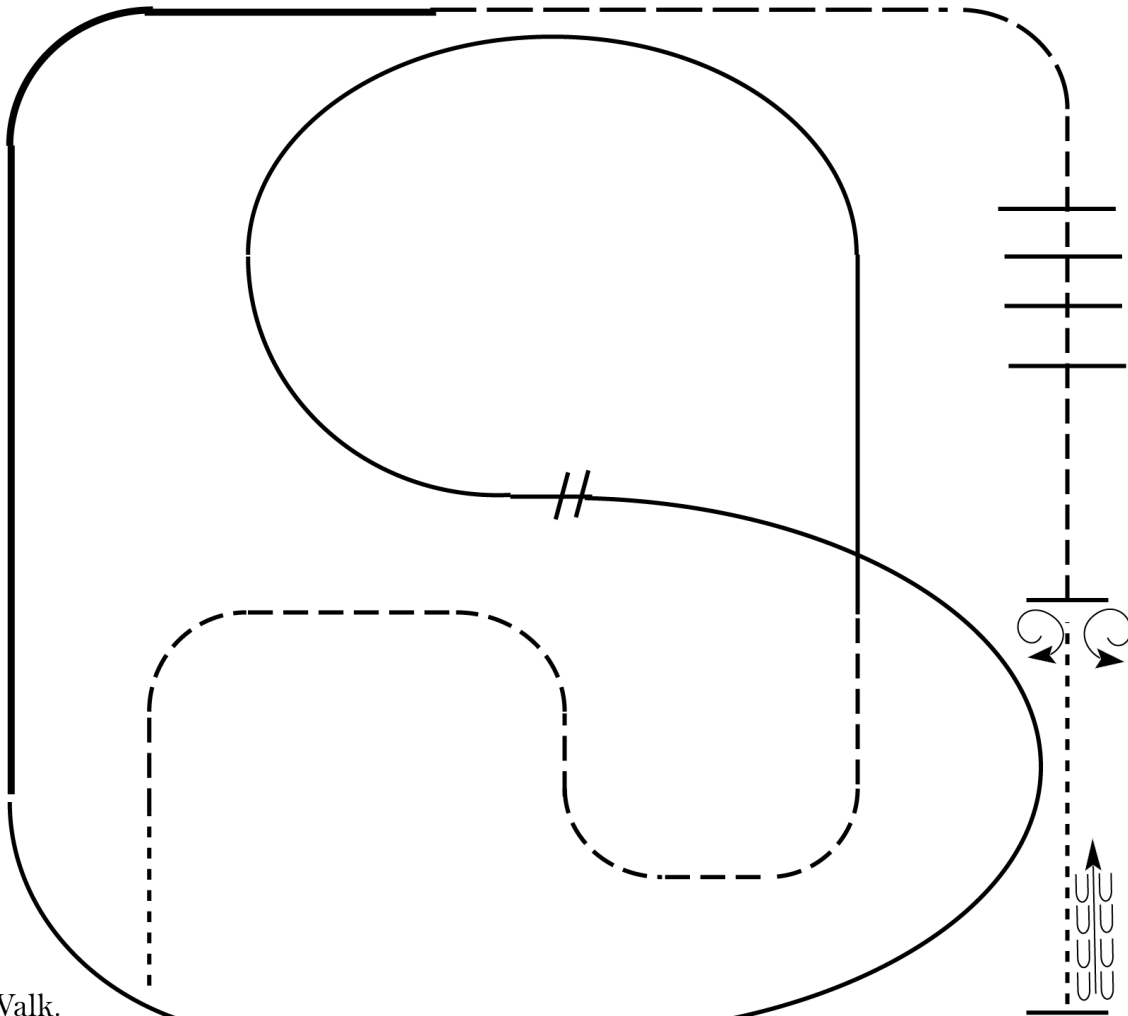
# EUROPEAN TEAM CUP 2017

## RANCH RIDING EUROPEAN YOUTH CUP

Show Date: 14 15 16 07-2017

www.HorseShowPatterns.com

www.HorseShowPatterns.com



1. Walk.
2. Trot serpentine
3. Lope left lead around end of arena and then diagonally across arena.
4. Change leads (simple or flying) and
5. Lope on the right lead around end of the arena.
6. Extend lope on the straight away around corner to center of arena.
7. Extend trot around corner of arena
8. Collect to a trot
9. Trot over poles
10. Stop do a 360 turn each direction (either direction 1st)
11. Walk, stop and back.

<b>Walk</b>	-----
<b>Jog</b>	- - - - -
<b>Extended Jog</b>	-----
<b>Lope</b>	
<b>Lead Change</b>	//
<b>Back</b>	←←←←←
<b>Marker</b>	(B)

[RR/4]

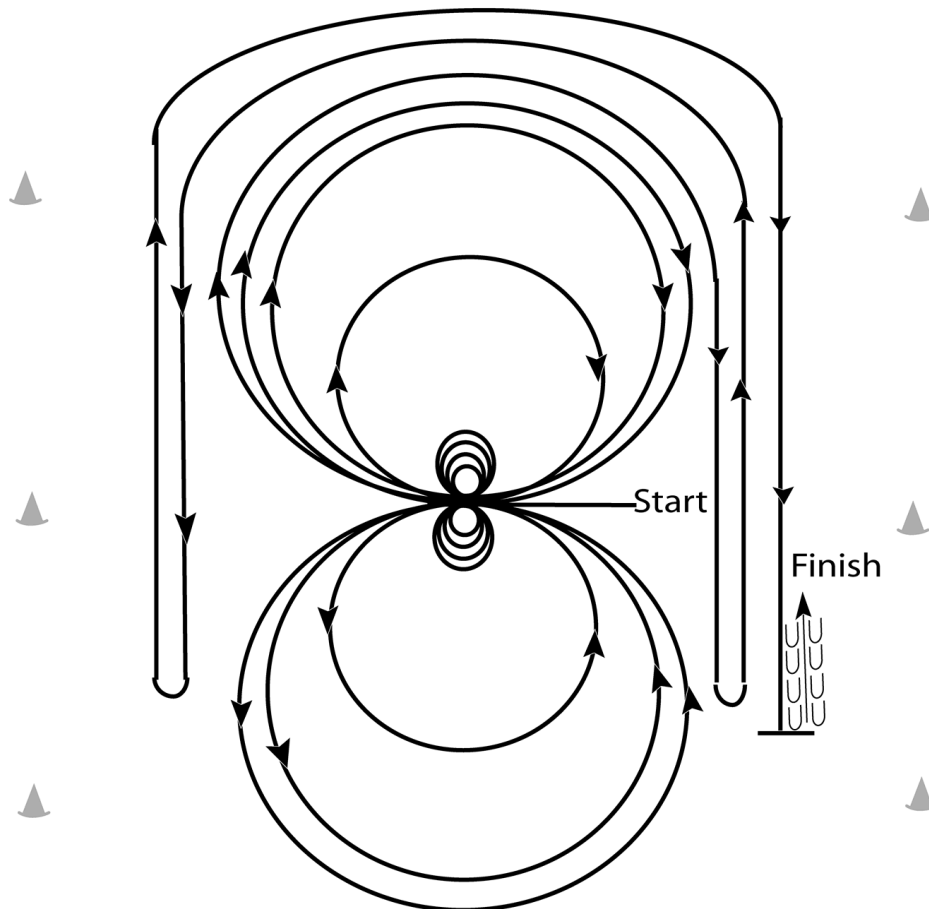
Pattern Provided by:

*M Pfender*

# EUROPEAN TEAM CUP 2017

## REINING EUROPEAN TEAM CUP AMATEUR

Show Date: 14 15 16 07-2017



Horses must walk or stop prior to starting pattern. Beginning at the center of the arena facing the left wall or fence.

1. Complete four spins to the left.
  2. Complete four spins to the right. Hesitate.
  3. Beginning on the right lead, complete three circles to the right: the first circle large and fast; the second circle small and slow; the third circle large and fast. Change leads at the center of the arena.
  4. Complete three circles to the left: the first circle large and fast; the second circle small and slow; the third circle large and fast. Change leads at the center of the arena.
  5. Begin a large fast circle to the right but do not close this circle. Run straight down the right side of the arena past the center marker and do a left rollback at least twenty feet (6.09m) from the wall or fence – no hesitation.
  6. Continue back around the previous circle but do not close this circle. Run down the left side of the arena past the center marker and do a right rollback at least twenty feet (6.09m) from the wall or fence – no hesitation.
  7. Continue back around the previous circle but do not close this circle. Run down the right side of the arena past the center marker and do a sliding stop at least twenty feet (6.09m) from the wall or fence. Back up at least ten feet (3m). Hesitate to demonstrate completion of the pattern.
- Rider may drop bridle to the designated judge.

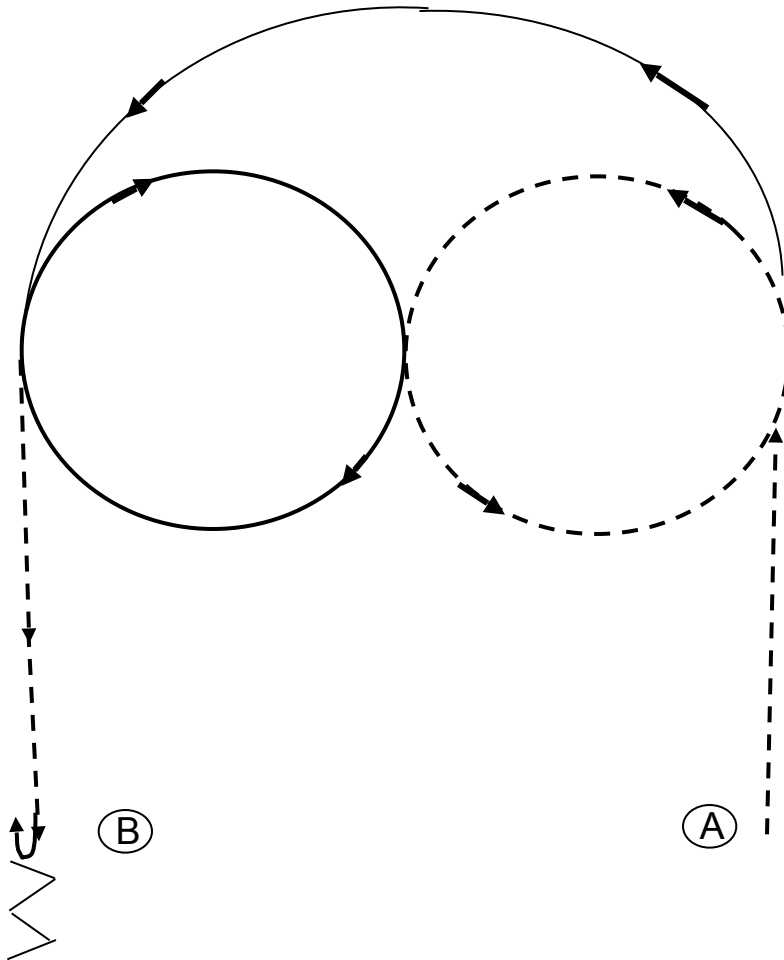
[R/AQHAP-8]

**Pattern Provided by:**

*M Pfender*

# EUROPEAN TEAM CUP 2017 HUNT SEAT EQUITATION AMATEUR YOUTH

.....walk    - - - - trot    →    canter    ↻    turn    〰    backup



Be ready at A,

1. posting trot left diagonal -. posting trot right diagonal on semi circle
2. canter right lead and right circle
3. posting trot right diagonal
4. hand gallop left lead
5. seating trot - stop at B
6. 180° turn right on forehand
7. back up